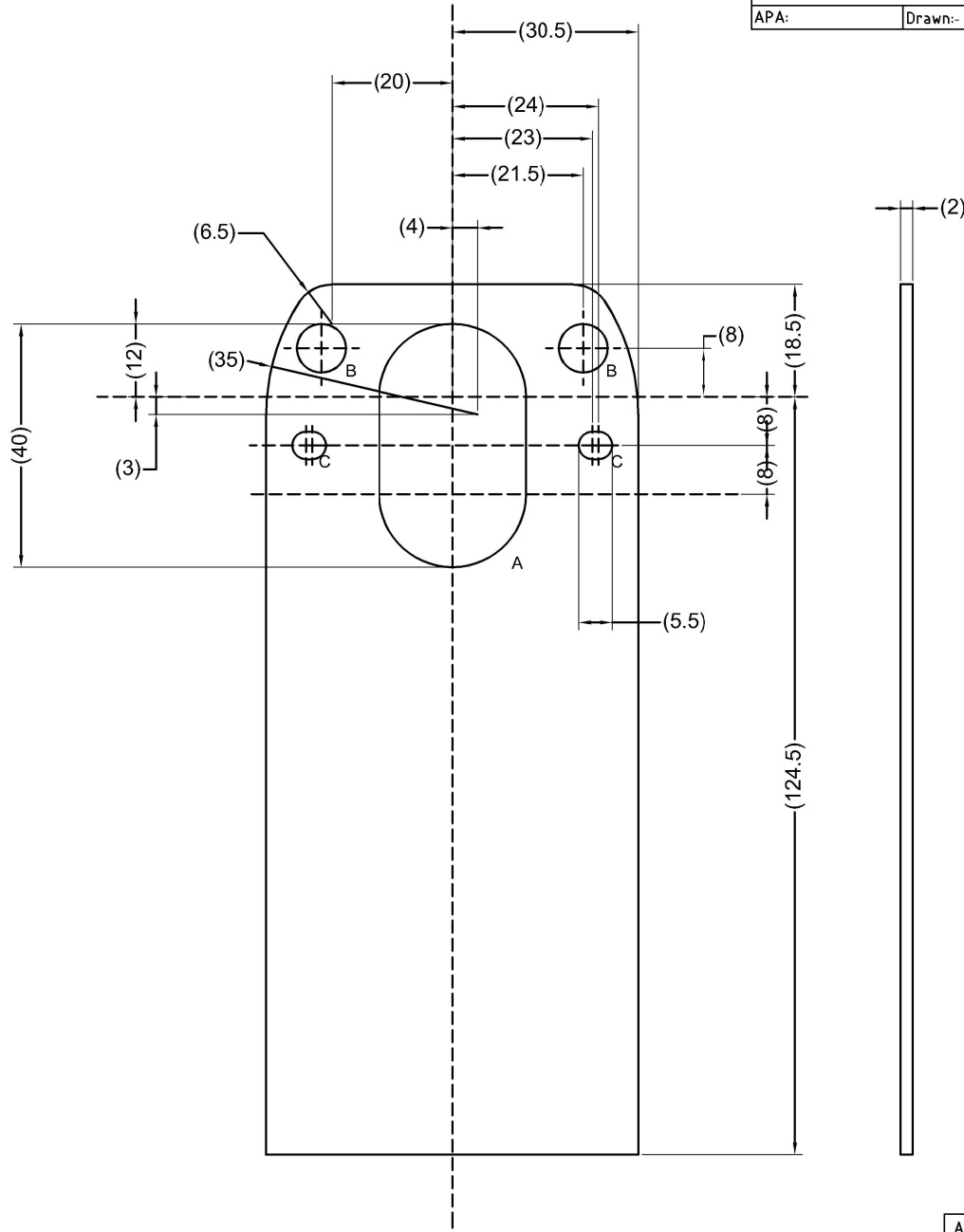


Revision Notes.				
R1 -				
APA:	Drawn:-	Checked:-	Approved:-	Date: -



HOLE TABLE	
IDENT	DIAMETER
A	24MM
B	8MM
C	4.5MM

- NOTES:
1. FINISH: NATURAL
 2. TOLERANCE: +/- 0.2mm
 3. MATERIAL: 2MM THICK ALUMINIUM.
 4. EDGES TO BE DE-BURRED.
 5. FOR HOLES SIZES REFER TO HOLE TABLE.
 6. FLAT PATTERN DXF PROFILE AVAILABLE ON REQUEST.
 7. SPRING WASHERS ARE RECOMMENDED WHEN MOUNTING THE CAMERA TO THE BRACKET TO ENSURE A SECURE FIT.

PROPRIETARY NOTICE
 THIS DESIGN AND TECHNICAL INFORMATION APPEARING ON THIS DRAWING IS THE PROPERTY OF BRIGADE ELECTRONICS, AND IS DISCLOSED IN CONFIDENCE. IT IS NOT TO BE COPIED, REPRODUCED, REVEALED TO OR EXPROPRIATED BY OTHERS, EITHER IN WHOLE OR IN PART WITHOUT THE EXPRESS WRITTEN CONSENT OF BRIGADE ELECTRONICS.



Assembly Pl Approval S.CROXALL	Approved by L.PILLAY	Checked by S.LAVER	Drawn by S.GOVENDER
Angle of Projection Third Angle	Units mm	Scale N/A	Released 18/12/19
	Status RELEASED	Assembly Ref BN360-100C-BKT01	
Part No 4649A		BE-004242-00-19	